

# PRODUCT SPECIFICATION

<b>Part No.:</b>	<b>AC-QFAOC-8G40-X</b>	
<b>Description:</b>	40G QSFP+ Active Optical Cable, MMF 850nm 1-100m	
<b>Release Date</b>	<b>Rev.</b>	<b>Revision Change Description</b>
<b>2016/07/16</b>	<b>A0</b>	New Release
<b>2020/12/28</b>	<b>A1</b>	Template Update

## Features

---

- ◇ Four-channel full-duplex active optical cable
- ◇ Transmission data rate up to 11.3Gbps per channel
- ◇ High Reliability 850nm VCSEL technology
- ◇ Available in standard lengths of 3, 5, 10, 15, 20, 30, 50,100m
- ◇ Low power consumption <1.5W
- ◇ Operating case temperature 0°C to +70°C
- ◇ 3.3V power supply voltage
- ◇ RoHS 6 compliant
- ◇ Hot Pluggable QSFP form factor

## Application

---

- ◇ Infiniband QDR/DDR/SDR
- ◇ 40G Ethernet
- ◇ Datacenter
- ◇ 4G/8G/10G Fiber Channel

## Standard

---

- ◇ Compliant to IEEE 802.3ba
- ◇ Compliant with QSFP+ MSA
- ◇ Compliant to SFF-8436

## Specification

Absolute Maximum Ratings				
Parameter	Symbol	Min	Max	Unit
Storage Ambient Temperature	$T_{STG}$	-40	85	$^{\circ}C$
Operating Case Temperature	$T_c$	0	70	$^{\circ}C$
Operating Humidity	$H_o$	5	85	%
Power Supply Voltage	$V_{cc}$	-0.3	+3.6	V
Input Voltage	$V_{in}$	-0.3	$V_{cc}+0.3$	V

Recommended Operating Conditions					
Parameter	Symbol	Min	Typical	Max	Unit
Power Supply Voltage	$V_{cc}$	3.135	3.3	3.465	V
Data Rate		1	10.3	11.3	Gbps
Data Speed Tolerance	$\Delta DR$	-100		+100	ppm
Link Distance with OM3 fiber	$D$	0		100	m
Power Consumption		-		1.5	W


Electrical Specifications						
Parameter	Symbol	Min	Typical	Max	Unit	Notes
Differential input impedance	$Z_{in}$	90	100	110	ohm	
Differential Output impedance	$Z_{out}$	90	100	110	ohm	
Differential input voltage amplitude	$\Delta V_{in}$	300		1100	mVp-p	
Differential output voltage amplitude	$\Delta V_{out}$	400		800	mVp-p	
Bit Error Rate	BR			E-12		
Input Logic Level High	$V_{IH}$	2.0		VCC	V	
Input Logic Level Low	$V_{IL}$	0		0.8	V	
Output Logic Level High	$V_{OH}$	VCC-0.5		VCC	V	
Output Logic Level Low	$V_{OL}$	0		0.4	V	

## Pin Descriptions

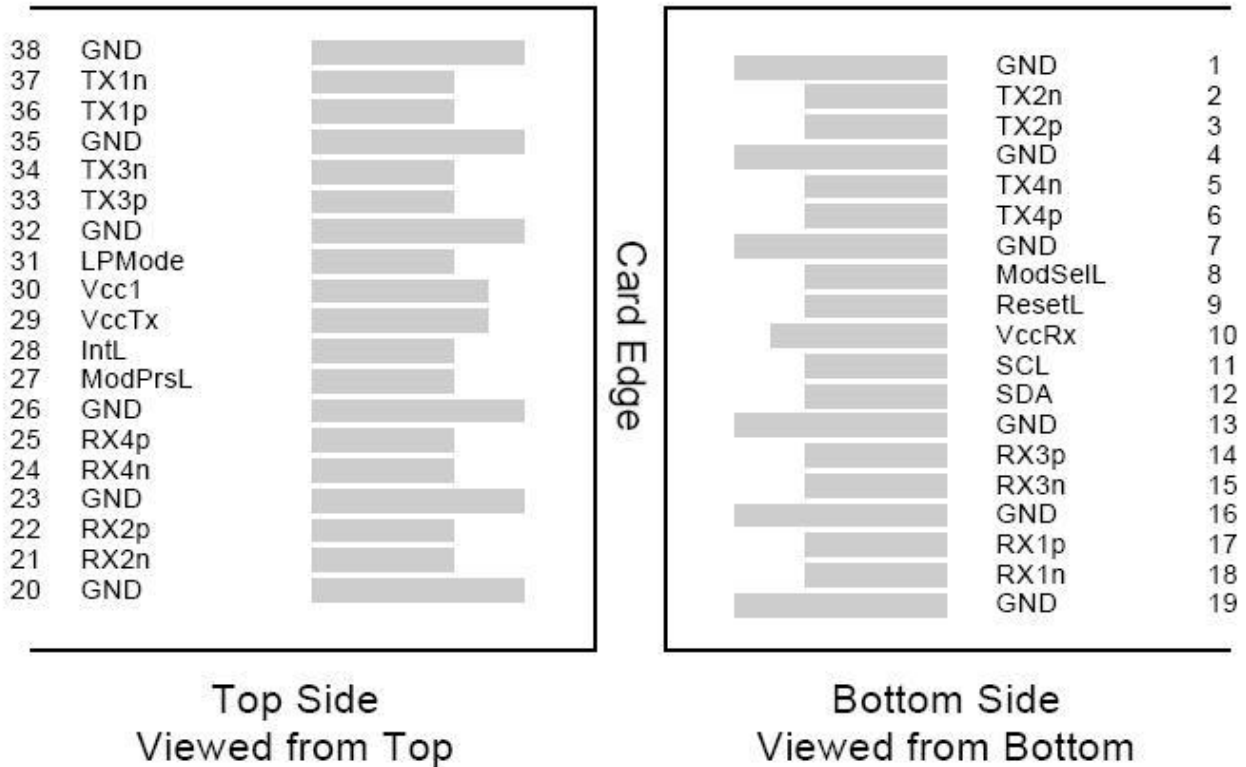
Pin	Symbol	Name/Description	Logic	Note
1	GND	Ground		1
2	Tx2n	Transmitter Inverted Data Input	CML-I	
3	Tx2p	Transmitter Non-Inverted Data output	CML-I	

4	GND	Ground		1
5	Tx4n	Transmitter Inverted Data Input	CML-I	
6	Tx4p	Transmitter Non-Inverted Data output	CML-I	
7	GND	Ground		1
8	ModSelL	Module Select	LVTTLL-I	
9	ResetL	Module Reset	LVTTLL-I	
10	VccRx	+ 3.3V Power Supply Receiver		2
11	SCL	2-Wire Serial Interface Clock	LVC MOS-I/O	
12	SDA	2-Wire Serial Interface Data	LVC MOS-I/O	
13	GND	Ground		
14	Rx3p	Receiver Non-Inverted Data Output	CML-O	
15	Rx3n	Receiver Inverted Data Output	CML-O	
16	GND	Ground		1
17	Rx1p	Receiver Non-Inverted Data Output	CML-O	
18	Rx1n	Receiver Inverted Data Output	CML-O	
19	GND	Ground		1
20	GND	Ground		1
21	Rx2n	Receiver Inverted Data Output	CML-O	
22	Rx2p	Receiver Non-Inverted Data Output	CML-O	
23	GND	Ground		1
24	Rx4n	Receiver Inverted Data Output	CML-O	1
25	Rx4p	Receiver Non-Inverted Data Output	CML-O	
26	GND	Ground		1
27	ModPrsL	Module Present	LVTTTL-O	
28	IntL	Interrupt	LVTTTL-O	
29	VccTx	+3.3 V Power Supply transmitter		2
30	Vcc1	+3.3 V Power Supply		2
31	LPMMode	Low Power Mode	LVTTTL-I	
32	GND	Ground		1
33	Tx3p	Transmitter Non-Inverted Data Input	CML-I	
34	Tx3n	Transmitter Inverted Data Output	CML-I	
35	GND	Ground		1
36	Tx1p	Transmitter Non-Inverted Data Input	CML-I	
37	Tx1n	Transmitter Inverted Data Output	CML-I	
38	GND	Ground		1

**Notes:**

 Add: 2-4# Building, Tongfuyu Industrial Zone, Ai qun Road, Shiyan street, Baoan District, Shen zhen, China.  
 Tel: +86-755-8891 4745 Fax: +86-755-2946 6959 E-mail: [sales@lonte.com.cn](mailto:sales@lonte.com.cn) www.lonte.com.cn

- 1) Module circuit ground is isolated from module chassis ground within the module. GND is the symbol for signal and supply (power) common for QSFP modules.
- 2) The connector pins are each rated for a maximum current of 500mA.



### ModSel Pin

The ModSel is an input pin. When held low by the host, the module responds to 2-wire serial communication commands. The ModSel allows the use of multiple QSFP modules on a single 2-wire interface bus. When the ModSel is “High”, the module will not respond to any 2-wire interface communication from the host. ModSel has an internal pull-up in the module.

### ResetL Pin

Reset. LPMODE\_Reset has an internal pull-up in the module. A low level on the ResetL pin for longer than the minimum pulse length (t\_Reset\_init) initiates a complete module reset, returning all user module settings to their default state. Module Reset Assert Time (t\_init) starts on the rising edge after the low level on the ResetL pin is released. During the execution of a reset (t\_init) the host shall disregard all status bits until the module indicates a completion of the reset interrupt. The module indicates this by posting an IntL signal with the Data\_Not\_Ready bit negated. Note that on power up (including hot insertion) the module will post this completion of reset interrupt without requiring a reset.

### LPMODE Pin

LONTE QSFP+ SR4operate in the low power mode (less than 1.5 W power consumption) This pin active high will decrease power consumption to less than 1W.

### ModPrsL Pin

ModPrsL is pulled up to Vcc on the host board and grounded in the module. The ModPrsL is asserted “Low” when the module is inserted and deasserted “High” when the module is physically absent from the host connector.

### IntL Pin

Add: 2-4# Building, Tongfuyu Industrial Zone, Ai qun Road, Shiyuan street, Baoan District, Shen zhen, China.  
Tel: +86-755-8891 4745 Fax: +86-755-2946 6959 E-mail: [sales@lonte.com.cn](mailto:sales@lonte.com.cn) www. [lonte.com.cn](http://lonte.com.cn)

IntL is an output pin. When “Low”, it indicates a possible module operational fault or a status critical to the host system. The host identifies the source of the interrupt by using the 2-wire serial interface. The IntL pin is an open collector output and must be pulled up to Vcc on the host board.

### Power Supply Filtering

The host board should use the power supply filtering shown in Figure1.

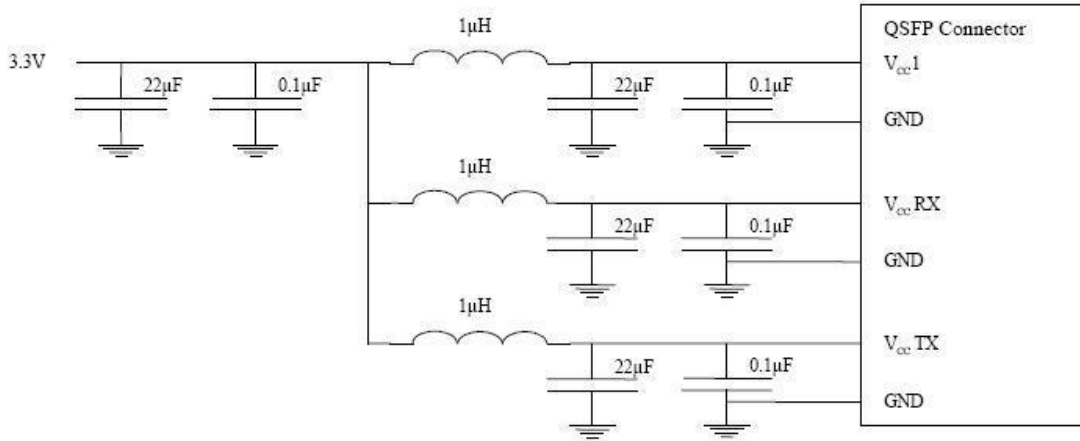
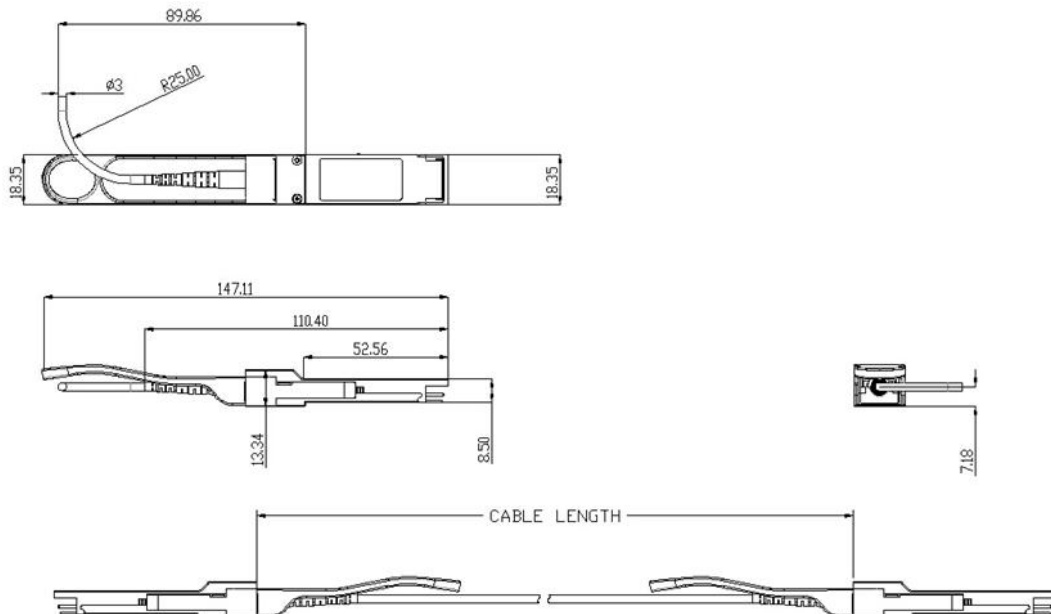


Figure1. Host Board Power Supply Filtering

### Mechanical Specifications

Dimensions are in millimeters. All dimensions are ±0.1mm unless otherwise specified.(unit: mm)



## ESD

This transceiver is specified as ESD threshold 1kV for Signal pads and 2kV for all others electrical input pads, tested per MIL-STD-883, Method 3015.4 /JESD22-A114-A (HBM). However, normal ESD precautions are still required during the handling of this module. This transceiver is shipped in ESD protective packaging. It should be removed from the packaging and handled only in an ESD protected environment.

## Regulatory Compliance

Feature	Test	Method
Electrostatic Discharge (ESD) to the Electrical Pins	MIL-STD-883E Method 3015.7	Class 1(>1000V for SFI pins, >2000Vfor other pins.)
Electrostatic Discharge (ESD) Immunity	IEC61000-4-2	Class 2(>4.0kV)
Electromagnetic Interference (EMI)	CISPR22 ITE Class B FCC Class B CENELEC EN55022 VCCI Class 1	Comply with standard
Immunity	IEC61000-4-3	Comply with standard
Eye Safety	FDA 21CFR 1040.10 and 1040.11 EN (IEC) 60825-1,2	Compatible with Class I laser Product

## Order Information

Part Number	Product Description
AC-QFAOC-8G40-X	40Gbps QSFP+ to QSFP+ Active Optical Cable 1-100m

### Notes:

Where "x" denotes cable length in meters. Examples are as follows:

x = 03 for 3m, x = 10 for 10m, x = 50 for 50m, x = A0 for 100m.